



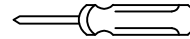
AMERICAN SIGNATURE, INC.

ASSEMBLY INSTRUCTIONS
ITEM NO: D1900 - KIS UPH BKLESS
CNTR STL-AUGUST LAT




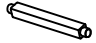
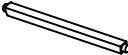




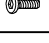
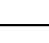

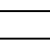
Thank you for purchasing this quality product. Be sure to check all packing material carefully for small parts that may have come loose inside the carton during shipment.

TOOLS REQUIRED (NOT PROVIDED)

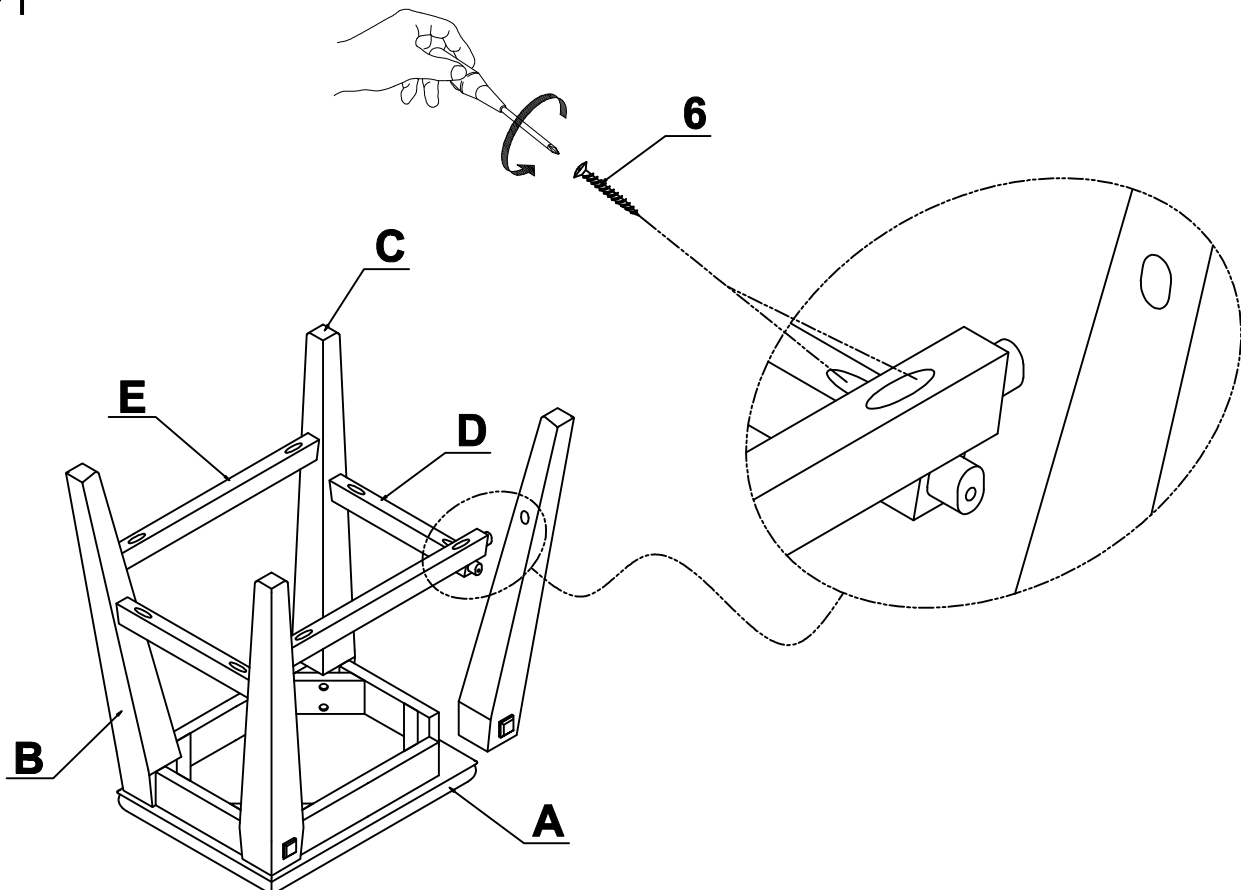


Screw Driver

No	PARTS LIST		
A	Seat		1 pc
B	Leg (L)		2 pcs
C	Leg(R)		2 pcs
D	Stretcher (L,R)		2 pcs
E	Stretcher (F,B)		2 pcs

No	HARDWARE LIST		
1		Flat Washer 5/16"	8 pcs
2		Lock Washer 5/16"	8 pcs
3		Bolts 5/16"x 2 1/4"	8 pcs
4		Allen key 5mm	1 pc
5		Allen Wrench (5mm)	1 pc
6		Screw (45)	8 pcs

STEP 1



MADE IN VIETNAM



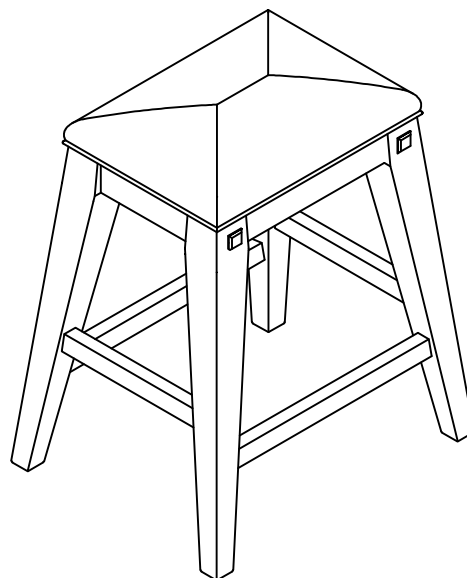
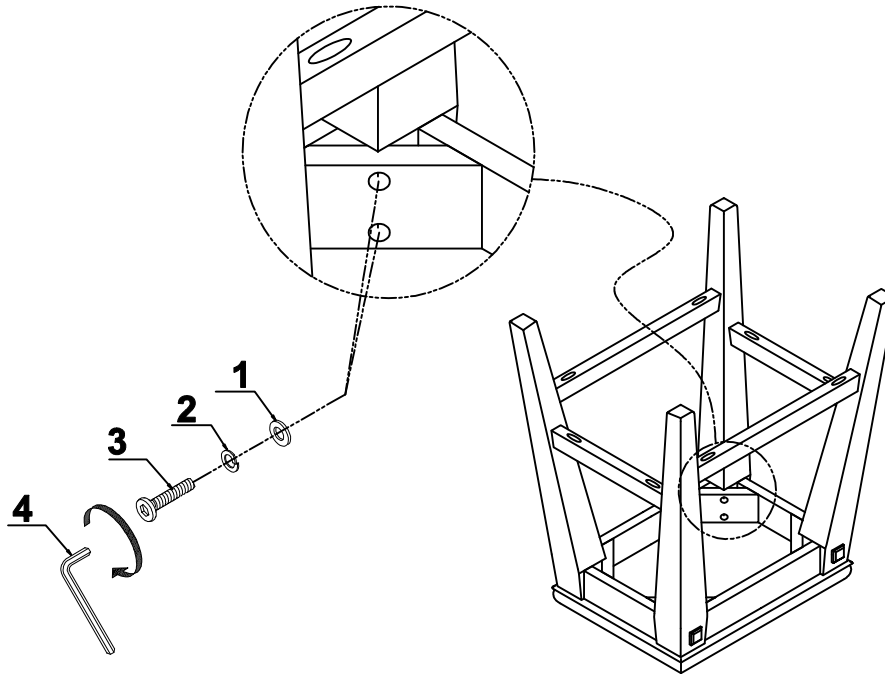
AMERICAN SIGNATURE, INC.

ASSEMBLY INSTRUCTIONS
ITEM NO: D1900 - KIS UPH BKLESS
CNTR STL-AUGUST LAT



Thank you for purchasing this quality product. Be sure to check all packing material carefully for small parts that may have come loose inside the carton during shipment.

STEP 2



MADE IN VIETNAM