

ASSEMBLY INSTRUCTIONS

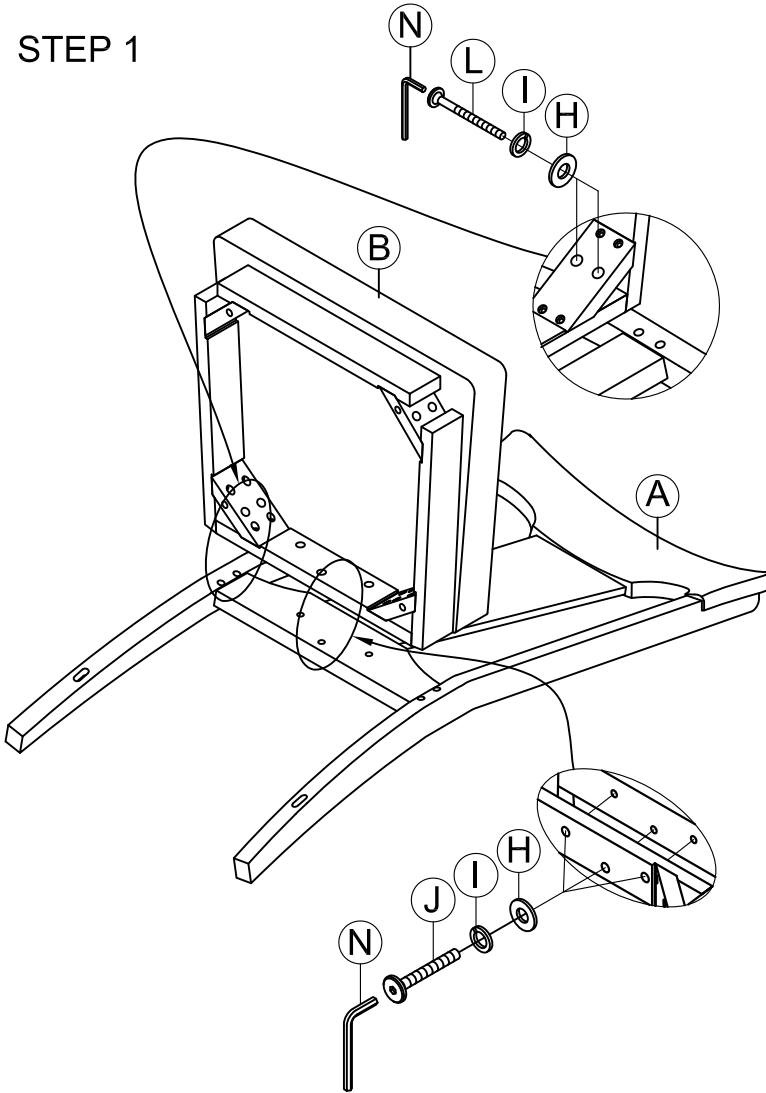
ITEM NO: 1139-313-S / 1140-313-S

SPLAT BK SIDE CHR-ADLER BLACK

SPLAT BK SIDE CHR-ADLER WHITE

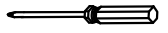
Thank you for purchasing this quality product. Be sure to check all packing material carefully for small parts that may have come loose inside the carton during shipment.

STEP 1



TOOLS REQUIRED (NOT PROVIDED)

Phillips Screwdriver



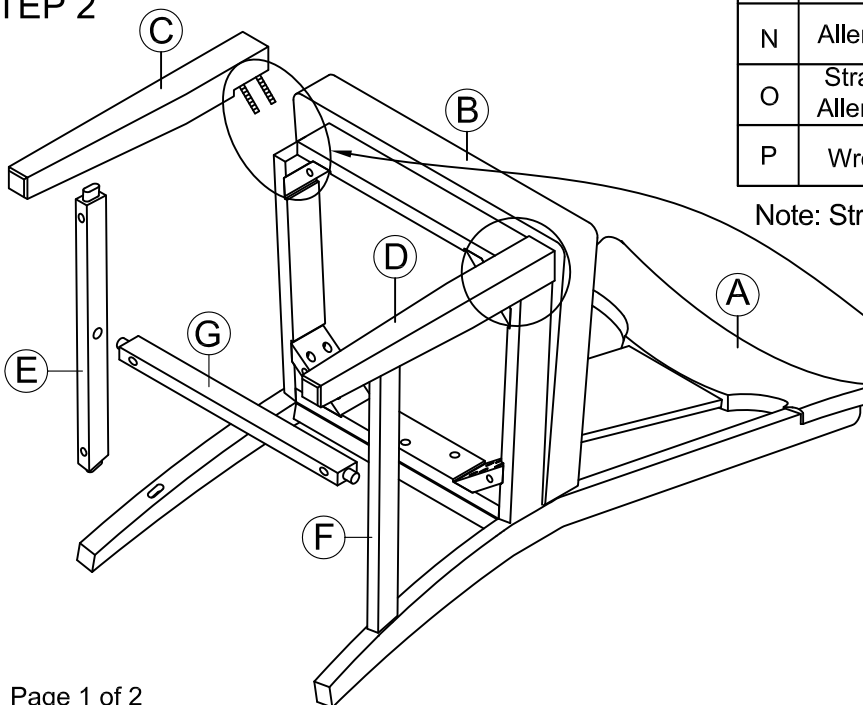
PARTS LIST :

NO.	DESCRIPTION	SKETCH	QTY
A	Chair Back		1 pc
B	Seat Frame		1 pc
C	Left Front Legs		1 pc
D	Right Front Legs		1 pc
E	Left Side Stretcher		1 pc
F	Right Side Stretcher		1 pc
G	Center Stretcher		1 pc

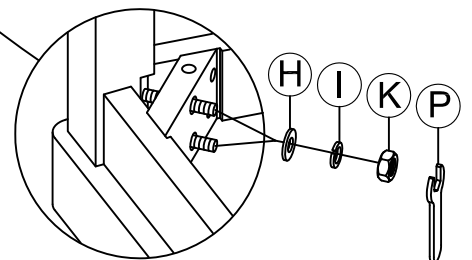
HARDWARE LIST :

NO.	DESCRIPTION	SIZE	SKETCH	QTY
H	Flat Washer	5/16"x φ19mm		11 pcs
I	Spring Washer	5/16"x φ12mm		11 pcs
J	Short Bolt	φ1/4"x38mm		3 pcs
K	Hex Nut	φ5/16"x12mm		4 pcs
L	Long Bolt	φ1/4"x85mm		4 pcs
M	Screw	φ8mmxφ4mmx50mm		6 pcs
N	Allen key	58mmx23mmx4mm		1 pc
O	Straight Allen key	4mmx80mm		1 pc
P	Wrench	12mmx75mm		1 pc

STEP 2



Note: Straight Allen key (O) is for use with a power drill.





ASSEMBLY INSTRUCTIONS

ITEM NO: 1139-313-S / 1140-313-S

SPLAT BK SIDE CHR-ADLER BLACK

SPLAT BK SIDE CHR-ADLER WHITE

Thank you for purchasing this quality product. Be sure to check all packing material carefully for small parts that may have come loose inside the carton during shipment.

STEP 3

