

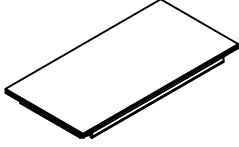
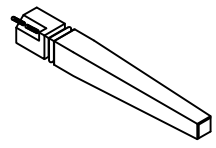
ASSEMBLY INSTRUCTIONS

ITEM NO: 1139-38102 38x 102 DNG TBL- ADLER BLACK

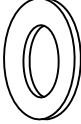

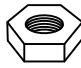
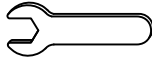
1140-38102 38x 102 DNG TBL- ADLER WHITE

Thank you for purchasing this quality product .Be sure to check all packing material carefully for small parts that may have come loose inside the carton during shipment .

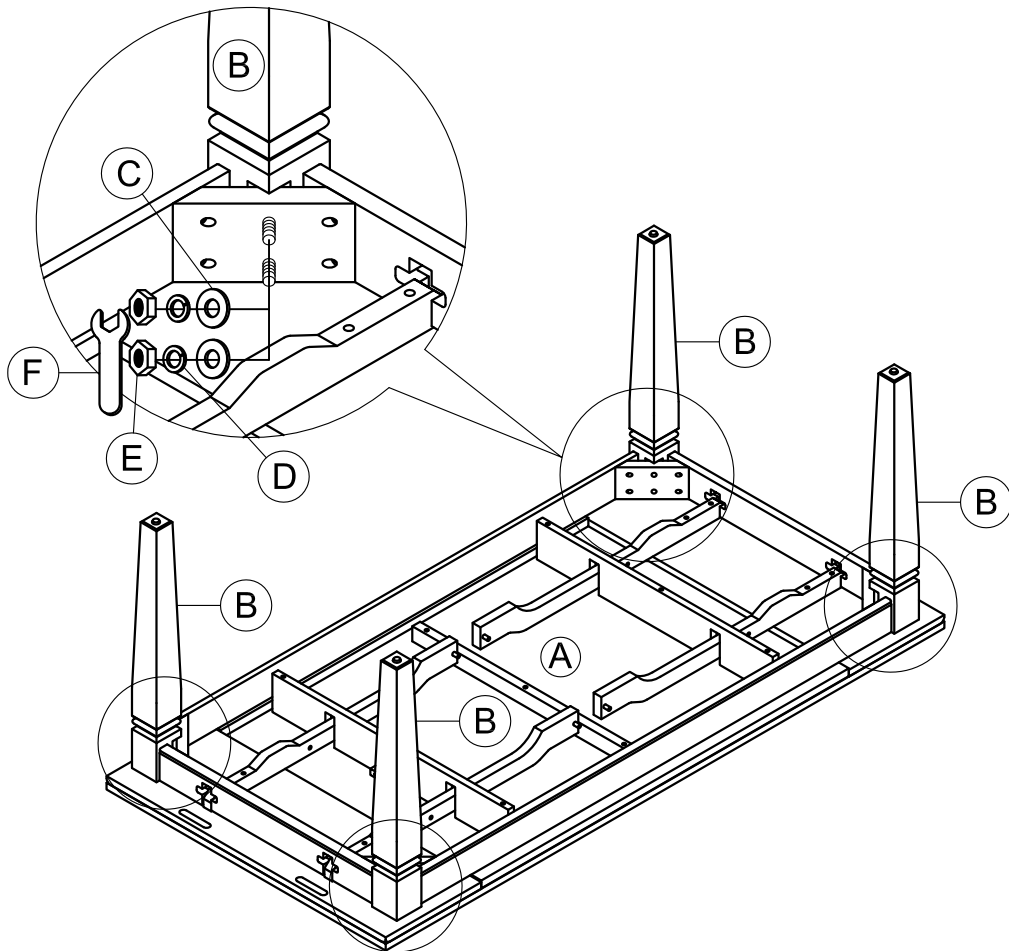
PARTS LIST:

NO.	DESCRIPTION	SKETCH	QTY
A	Table Top		1pc
B	Leg		4pcs

HARDWARE LIST :

NO.	DESCRIPTION	SIZE	SKETCH	QTY
C	Flat Washer	Ø5/16"x 19 mm		8pcs
D	Spring Washer	Ø5/16"x 12 mm		8pcs
E	Hex- nut	Ø5/16"x 12 mm		8pcs
F	Wrench	75x 12 mm		1pc

STEP 1



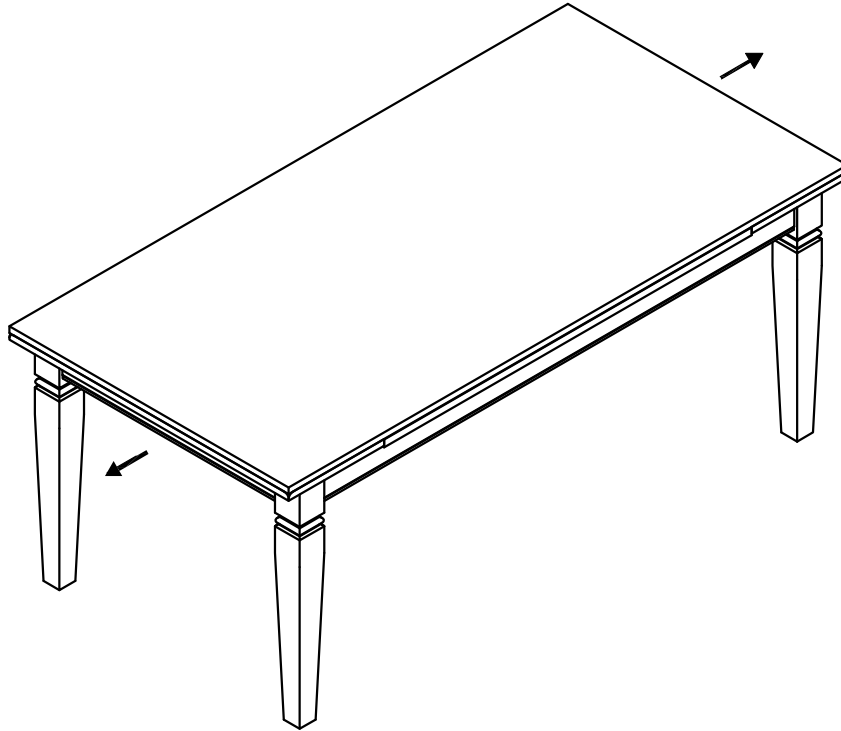


ASSEMBLY INSTRUCTIONS

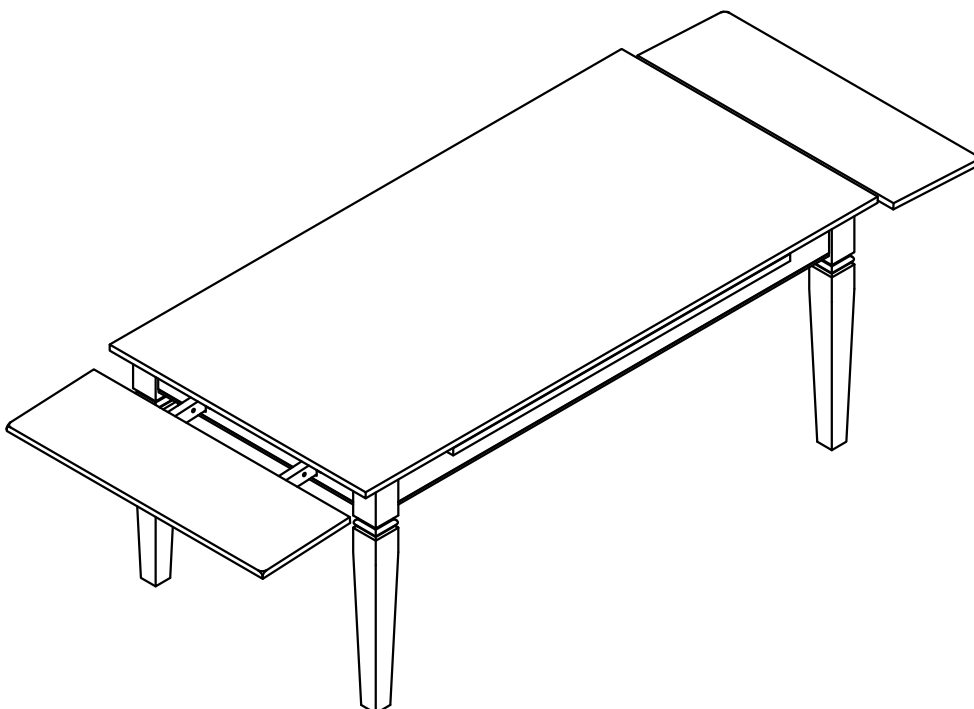
ITEM NO: 1139-38102 38x 102 DNG TBL- ADLER BLACK
1140-38102 38x 102 DNG TBL- ADLER WHITE

Thank you for purchasing this quality product .Be sure to check all packing material carefully for small parts that may have come loose inside the carton during shipment .

STEP 2



STEP 3



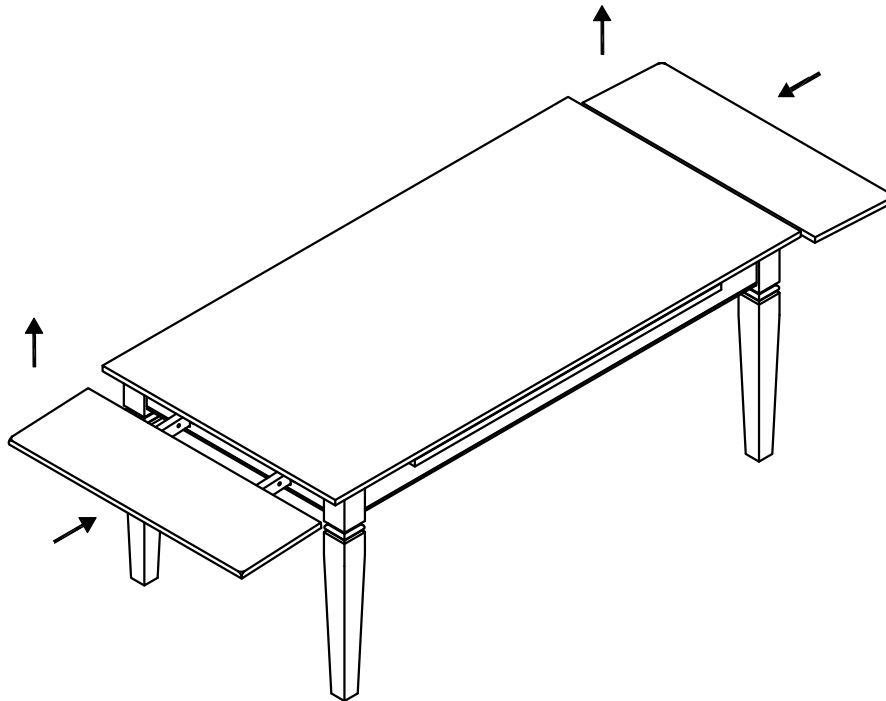


ASSEMBLY INSTRUCTIONS

ITEM NO: 1139-38102 38x 102 DNG TBL- ADLER BLACK
1140-38102 38x 102 DNG TBL- ADLER WHITE

Thank you for purchasing this quality product .Be sure to check all packing material carefully for small parts that may have come loose inside the carton during shipment .

STEP 4



STEP 5

