



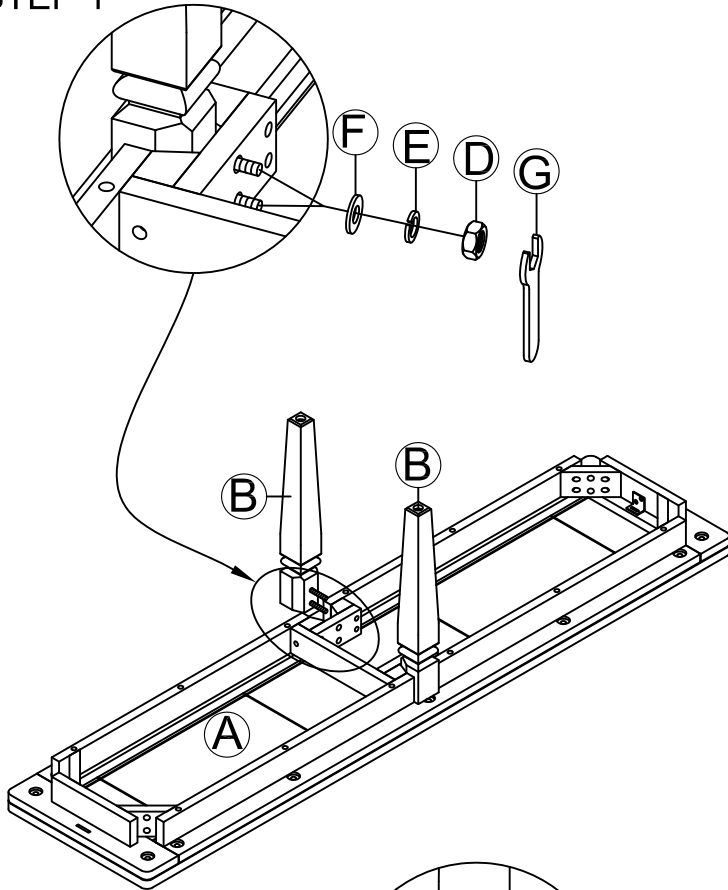
# ASSEMBLY INSTRUCTIONS

ITEM NO: 1139-315-BEN  
1140-315-BEN

DINING BENCH-ADLER BLACK  
DINING BENCH-ADLER WHITE

Thank you for purchasing this quality product. Be sure to check all packing material carefully for small parts that may have come loose inside the carton during shipment.

## STEP 1



### TOOLS REQUIRED (NOT PROVIDED)

Phillips Screwdriver



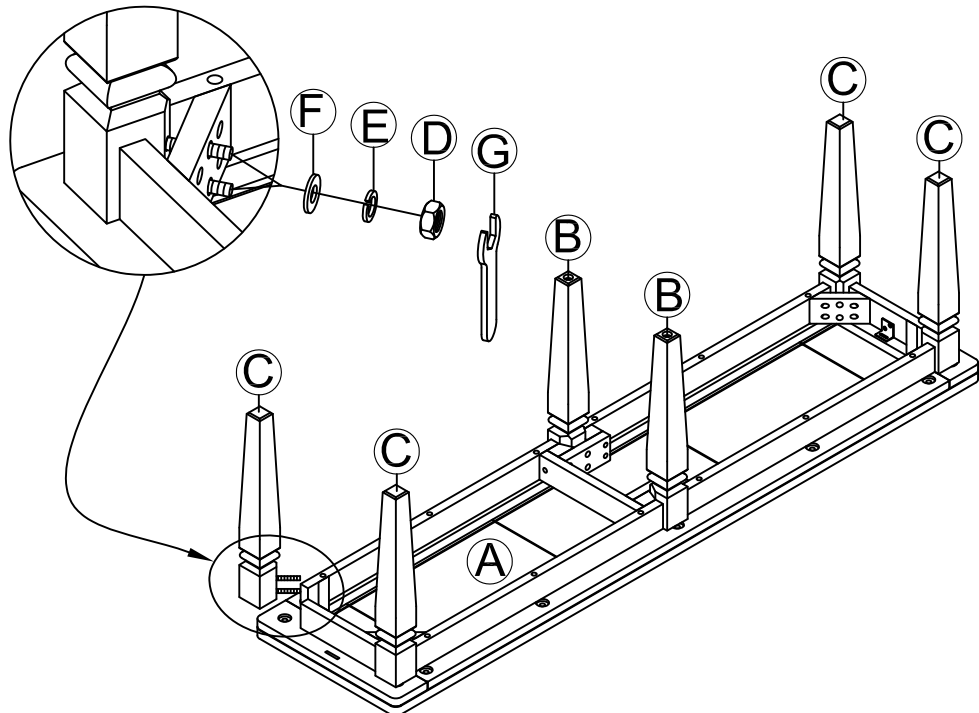
### PARTS LIST :

NO.	DESCRIPTION	SKETCH	QTY
A	Bench Seat		1 pc
B	Bench Center Legs		2 pcs
C	Bench Legs		4 pcs

### HARDWARE LIST :

NO.	DESCRIPTION	SIZE	SKETCH	QTY
D	Hex-Nut	φ5/16		12 pcs
E	Spring Washer	φ5/16"x φ12mm		12 pcs
F	Flat Washer	φ5/16"x φ19mm		12 pcs
G	Wrench	12 x75mm		1 pc

## STEP 2





# ASSEMBLY INSTRUCTIONS

ITEM NO: 1139-315-BEN  
1140-315-BEN

DINING BENCH-ADLER BLACK  
DINING BENCH-ADLER WHITE

Thank you for purchasing this quality product. Be sure to check all packing material carefully for small parts that may have come loose inside the carton during shipment.

## STEP 3

