

## ASSEMBLY INSTRUCTIONS

Item No: 61469

Description: 2-DRWR NIGHTSTAND - LANGHAM NAT

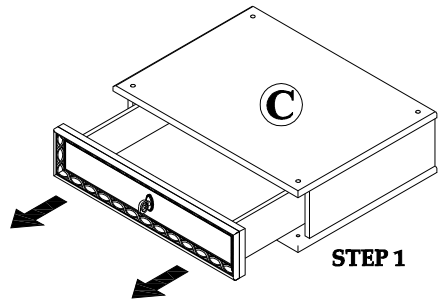
Item No: 61569

Description: 2-DRWR NTSTAND - LANGHAM WHITE

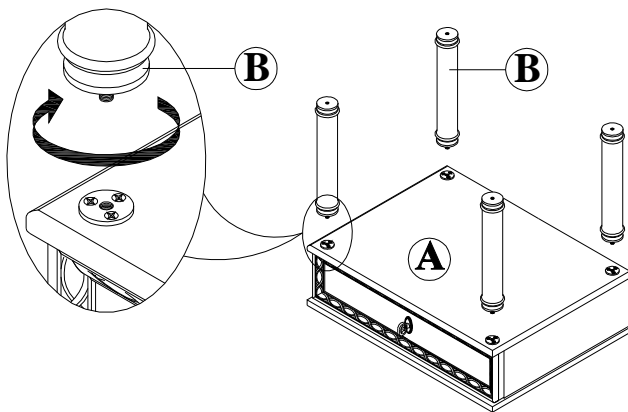
Item No: 61669

Description: 2-DRWR NTSTAND - LANGHAM BLACK

Thank you for purchasing this quality product. Be sure to check all packing material carefully for small parts that may have come loose inside the carton during shipment.



STEP 1



STEP 2

### PARTS LIST:

No.	Description	Sketch	Quantity
A	Top frame		1 pc
B	Leg		4 pcs
C	Bottom frame		1 pc
D	Bun foot		4 pcs

### HARDWARE LIST:

No.	Description	Sketch	Size	Quantity
E	Allen head bolt		Ø5/16"x1-1/4"	2 pcs
F	Hex Head bolt		Ø5/16"x1-1/2"	2 pcs
G	Lock washer		Ø5/16"x14x1mm	4 pcs
H	Flat Washer		Ø5/16"x18x1mm	4 pcs
I	Allen key		4mm	1 pc
J	Wrench		12mm	1 pc
K	Straight Allen Wrench		4 x 100mm	1 pc

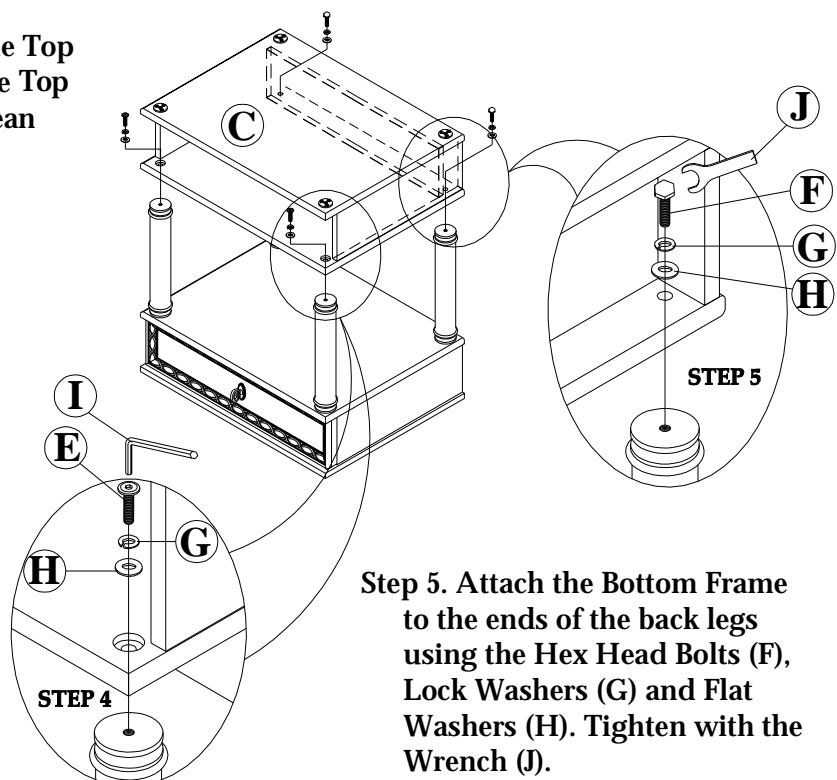
### ASSEMBLY PROCEDURE:

Step 1. Remove the drawer from the Top Frame and lay it aside. Place the Top Frame (A) upside down, on a clean and soft surface.

Step 2. Attach the four Legs (B) to the bottom corners of the Top Frame.

Step 3. Remove the drawer from the Bottom Frame and lay it aside. Carefully position the Bottom Frame on the Legs, aligning the holes.

Step 4. Attach the Bottom Frame to the ends of the front legs using the Allen Head Bolts (E), Lock Washers (G) and Flat Washers (H). Tighten with the Allen Wrench (I).



Step 5. Attach the Bottom Frame to the ends of the back legs using the Hex Head Bolts (F), Lock Washers (G) and Flat Washers (H). Tighten with the Wrench (J).

**ASSEMBLY INSTRUCTIONS**

**Item No: 61469**

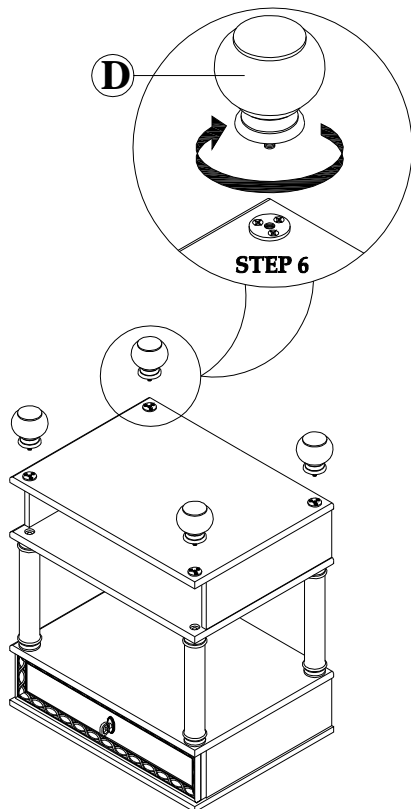
**Description: 2-DRWR NIGHTSTAND - LANGHAM NAT**

**Item No: 61569**

**Description: 2-DRWR NTSTAND - LANGHAM WHITE**

**Item No: 61669**

**Description: 2-DRWR NTSTAND - LANGHAM BLACK**



**Step 6. Attach the Bun Feet to the bottom corners of the Bottom Frame.**

**Step 7. Set the Nightstand upright and reinstall the drawers back into the openings from where they were removed.**

