

ASSEMBLY INSTRUCTIONS

Item No: 61461

Description: MIRROR - LANGHAM NATURAL

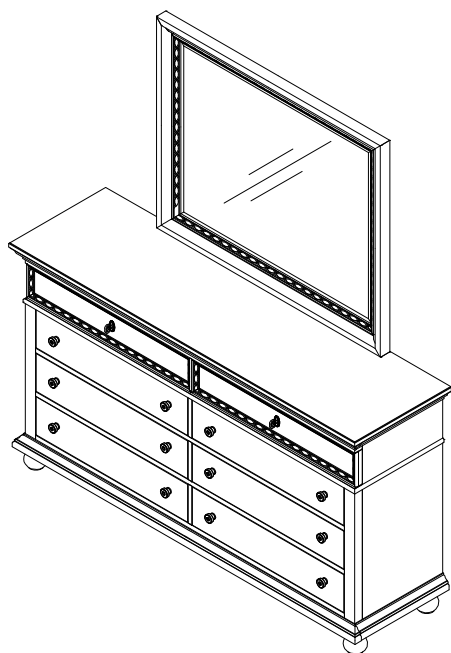
Item No: 61561

Description: MIRROR - LANGHAM WHITE

Item No: 61661

Description: MIRROR - LANGHAM BLACK

Thank you for purchasing this quality product. Be sure to check all packing material carefully for small parts that may have come loose inside the carton during shipment.



PARTS LIST:

No.	Description	Sketch	Quantity
A	Mirror		1 pc
B	Support mirror		2 pcs

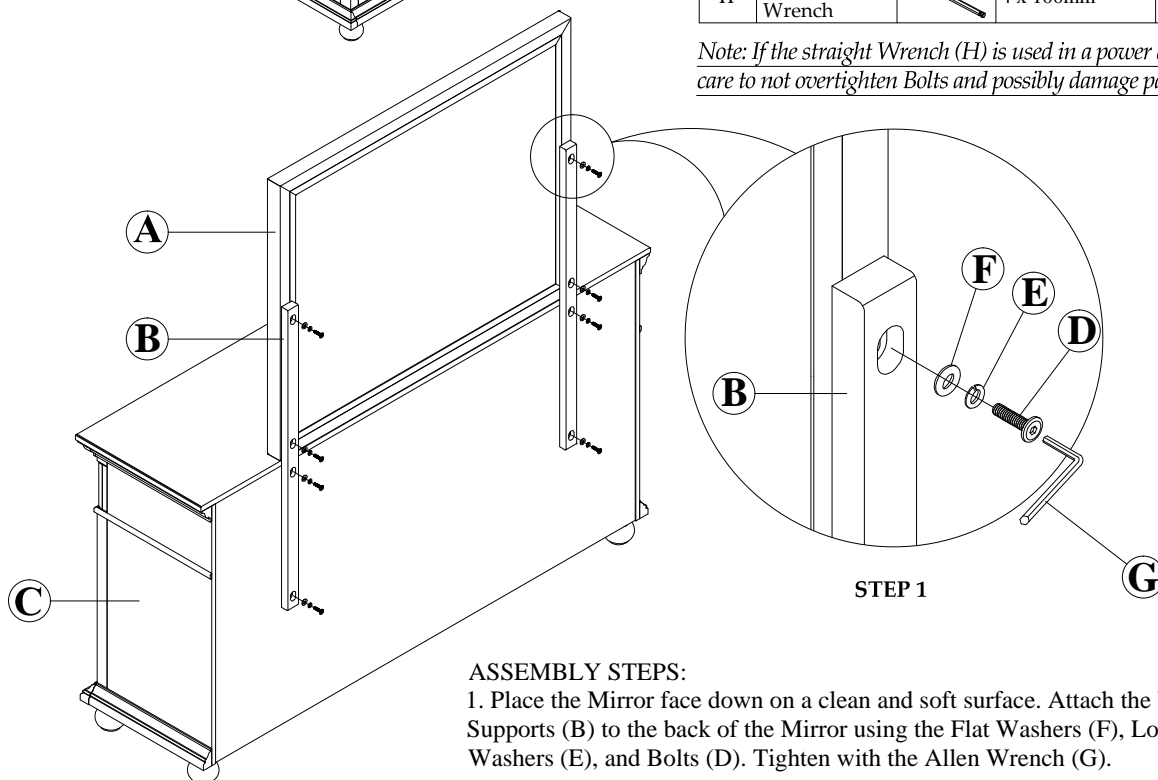
PARTS REQUIRED:

No.	Description	Sketch	Quantity
C	8-Drawer Dresser OR 10-Drawer Dresser		1 pc

HARDWARE LIST:

No.	Description	Sketch	Size	Quantity
D	Allen head bolt		Ø1/4"x1-1/4"	8 pcs
E	Lock washer		Ø1/4"x11x1mm	8 pcs
F	Flat Washer		Ø1/4"x18x1mm	8 pcs
G	L-Allen key		4mm	1 pc
H	Straight Allen Wrench		4 x 100mm	1 pc

Note: If the straight Wrench (H) is used in a power drill, use care to not overtighten Bolts and possibly damage parts.



ASSEMBLY STEPS:

1. Place the Mirror face down on a clean and soft surface. Attach the Wood Supports (B) to the back of the Mirror using the Flat Washers (F), Lock Washers (E), and Bolts (D). Tighten with the Allen Wrench (G).

2. After moving the Dresser to near its final location in the room, carefully position the Mirror on the back edge of the Dresser top and attach using the same washers and bolts as in previous step. Tighten with the Allen Wrench.