

# ASSEMBLY INSTRUCTIONS

Item No: 33160

Description: DRESSER-REGENTS PARK

**Thank you for purchasing this quality product. Be sure to check all packing material carefully for small parts that may have come loose inside the carton during shipment.**

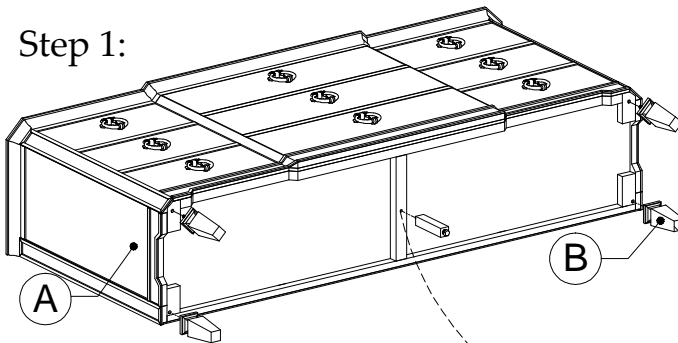
## ASSEMBLY PROCEDURE:

Note: There are two (2) hardware options provided with this piece. The Ring Pulls, which have been attached inside the drawers, or the Clear Knobs which can be attached if desired.

Step 1. Place the Dresser (A) on its back, on a clean and soft surface. Attach the Legs (B) to the bottom corners of the Dresser and attach the Support Leg (B) underneath the middle of the Dresser. Tighten Legs fully to where the square sides align.

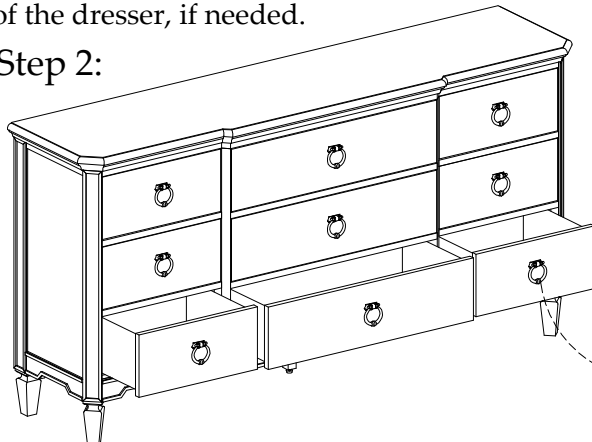
Step 2. Carefully set the Dresser upright. Using your Screwdriver, detach the handles from the inside of the drawers and re-attach them on the outside, or if preferred, attach the Clear Knobs.

### Step 1:



The leveler in the bottom of the support leg can be adjusted to add support under the middle of the dresser, if needed.

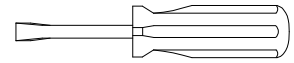
### Step 2:



THE FURNITURE TIPPING RESTRAINT IS STAPLED TO THE BACK OF THE UNIT.

## TOOLS REQUIRED (NOT PROVIDED)

**FLAT SCREWDRIVER**



## PARTS LIST:

No.	Description	Sketch	Quantity
A	Dresser		1
B	Legs		4
B	Support Legs		1

## HARDWARE LIST:

No.	Description	Sketch	Quantity
H1	Option 1: Ring Pull (Installed)		9
H2	Option 2: Drawer Knob		9
H3	Anti-Tip Restraint Kit		2

