

ASSEMBLY INSTRUCTIONS

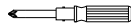
ITEM NO: A3030-203D

CHAIRSIDE TABLE-REFLECTION

Thank you for purchasing this quality product. Be sure to check all packing material carefully for small parts that may have come loose inside the carton during shipment.

TOOLS REQUIRED (NOT PROVIDED)

screwdriver



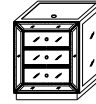
HARDWARE LIST:

NO.	Description	Sketch	Quantity
A	Bolt		3 PCS
B	Rubber washer		3 PCS
C	Backplate of knob		3 PCS
D	Knob		3 PCS

PARTS LIST

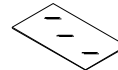
QTY

1 COCKTAIL TABLE



1 PC

2 MIRROR TOP

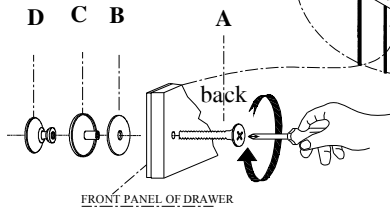


1 PC

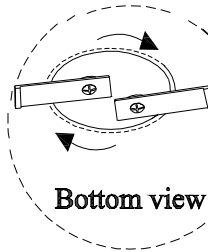
STEP 1 :

Caution:

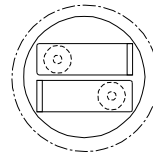
1. To avoid breaking the mirror on all drawers, assemble and tighten all screws by hand;
2. Don't use power tools to tighten hardware;
3. Don't over tighten. Over tightening will cause mirror to break.



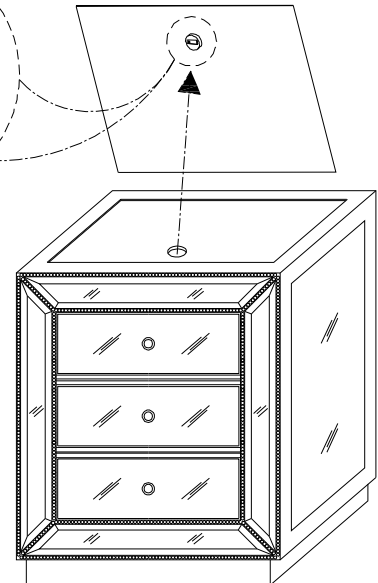
STEP 2 :



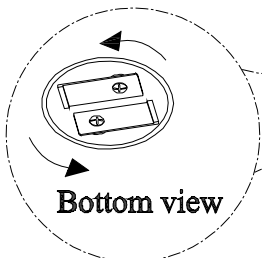
Bottom view



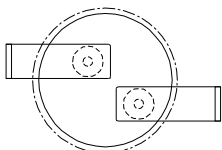
Unlock



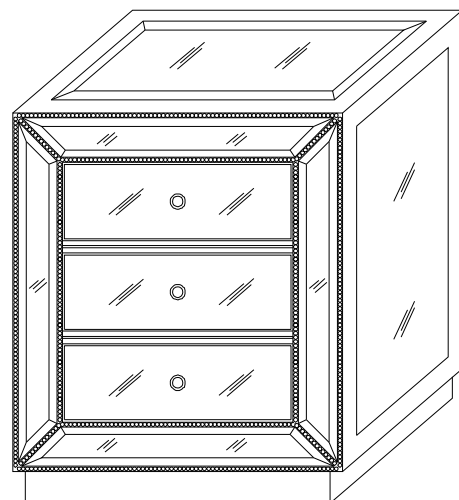
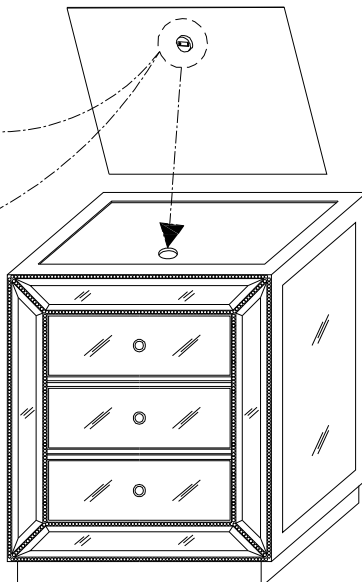
STEP 3 :



Bottom view



Lock



MADE IN VIETNAM