

ASSEMBLY INSTRUCTIONS

ITEM NO: A3030-200D

END TABLE-REFLECTION

Thank you for purchasing this quality product. Be sure to check all packing material carefully for small parts that may have come loose inside the carton during shipment.

TOOLS REQUIRED (NOT PROVIDED)

screwdriver



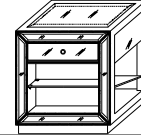
HARDWARE LIST:

NO.	Description	Sketch	Quantity
A	Bolt		1 PC
B	Rubber washer		1 PC
C	Backplate of knob		1 PC
D	Knob		1 PC
E	SHELF PIN		4 PCS

PARTS LIST

QTY

1 COCKTAIL TABLE



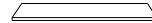
1 PC

2 MIRROR TOP



1 PC

3 GLASS SHELF

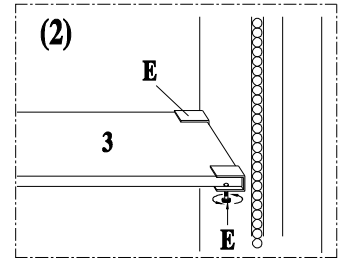
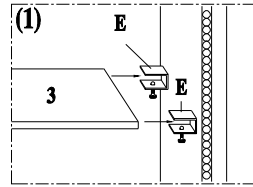
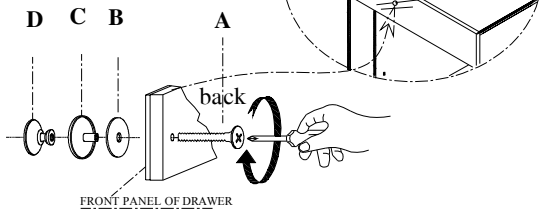


1 PC

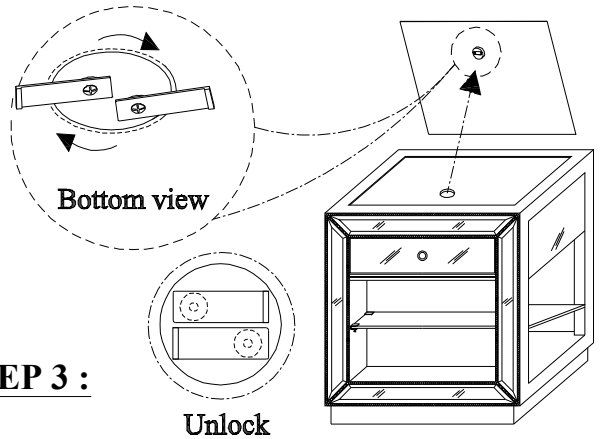
STEP 1 :

Caution:

- To avoid breaking the mirror on all drawers, assemble and tighten all screws by hand;
- Don't use power tools to tighten hardware;
- Don't over tighten. Over tightening will cause mirror to break.



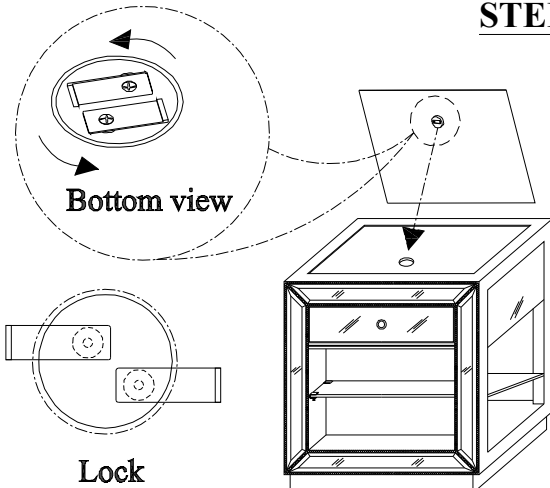
STEP 2 :



STEP 3 :

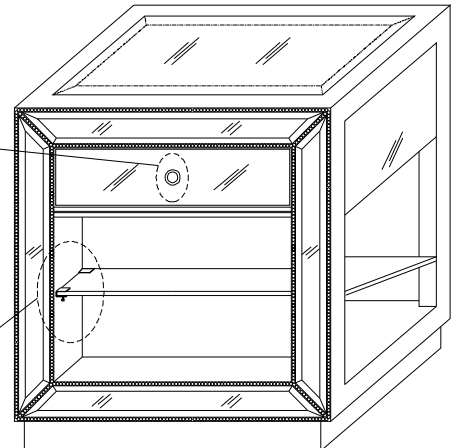
Unlock

STEP 4 :



Setp 2

Setp 1



MADE IN VIETNAM