

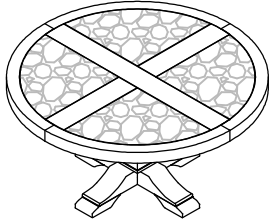
ASSEMBLY INSTRUCTIONS

Item No: 290232/233-2802/2804/2817TP

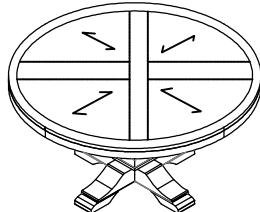
290232-2802/2804/2817BS

Description: 60"ROUND WOOD TOP/MARBLE TOP
TABLE-LANCASTER

Thank you for purchasing this quality product. Be sure to check all packing material carefully for small parts that may have come loose inside the carton during shipment.



Marble top with Pedestal
(290233-2804/ 2802 /2817 TP
&290232-2804/ 2802 /2817BS)

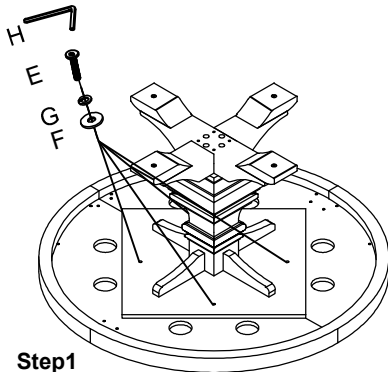


Wood top with Pedestal
(290232-2804/ 2802 /2817 TP
&290232-2804/ 2802 /2817BS)

PARTS LIST:			
No.	Description	Sketch	Quantity
A1	Wood top		1 pc
A2	Marble top Frame		1 pc
C	Marble top		4 pcs
D	Pedestal		1 pc

HARDWARE LIST:				
No.	Description	Sketch	Size	Quantity
E	Bolt		$\frac{5}{16}$ " x $1\frac{5}{16}$ "	4 pcs
F	Flat Washer		$\frac{5}{16}$ "	4 pcs
G	Lock Washer		$\frac{5}{16}$ "	4 pcs
H	Allen Wrench		5mm	1 pc
I	Straight Allen Wrench		5mm	1 pc

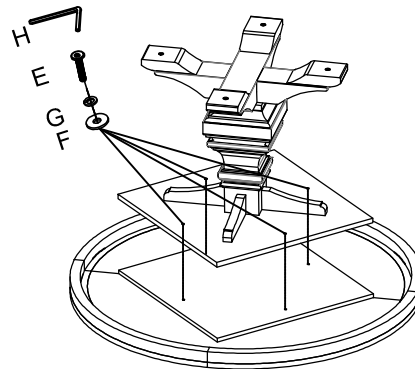
Assembly Instructions for pedestal(D) with marble top option:



Step1
MARBLE TOP (290233)

Note: Straight Allen Wrench (I) is for use with a power drill.

Assembly Instructions for pedestal(D) with wood top option:

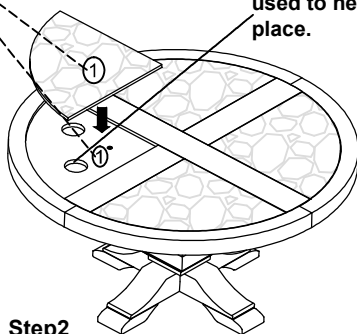


WOOD TOP (290232)

Step1

Check the corresponding number on both marble top and notch of the top, put the marble top on the right position.

Note:
The holes in the top panels are used to help locate the marble in place.



Step2
MARBLE TOP (290233)

MADE IN CHINA