

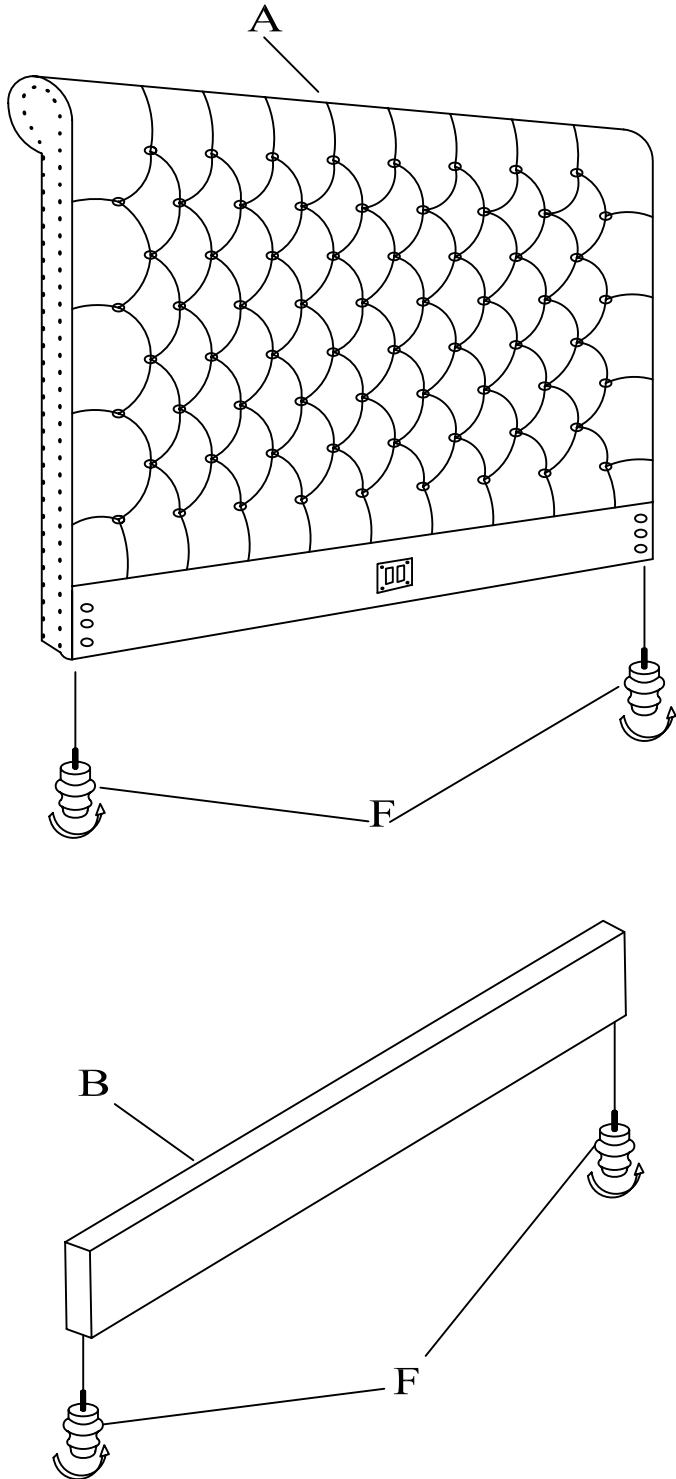
ASSEMBLY INSTRUCTIONS

Item No: D-QB/KB-187

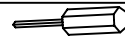
Description: QUEEN/KING UPH BED-DIANA

Thank you for purchasing this quality product. Be sure to check all packing material carefully for small parts that may have come loose inside the carton during shipment.

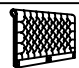
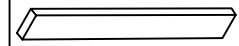






Step1: Assembly HB(A),FB(B) with Leg(F).




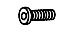
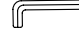







TOOLS REQUIRED(NOT PROVIDED)

 Philips Screwdriver

PARTS LIST:

No.	Description	Sketch	Quantity
A	Headboard		1PC
B	Footboard		1PC
C	Side Rail		2PCS
D	Center Rail		1PC
E	Center Rail Support Leg		3PCS
E1	Slat Support Leg		8PCS
F	Leg		4PCS
G	Slats		4PCS

HARDWARE LIST:

No.	Description	Sketch	Size	Quantity
H	Bolt		M8*2-1/2"	6PCS
I	Bolt		M8*1-1/2"	17PCS
J	Allen Key		M5	2PCS
K	Spring Washer		M8	12PCS
L	Flat Washer		M8	29PCS
M	Screw		∅ 8*1"	4PCS
N	Screw		∅ 8*1-1/2"	8PCS
O	Spanner		M12	1PC
P	Nut		M8	6PCS
Q	Straight Allen Key			1PC

Note: Straight Allen Key(Q) is for use with a power drill.

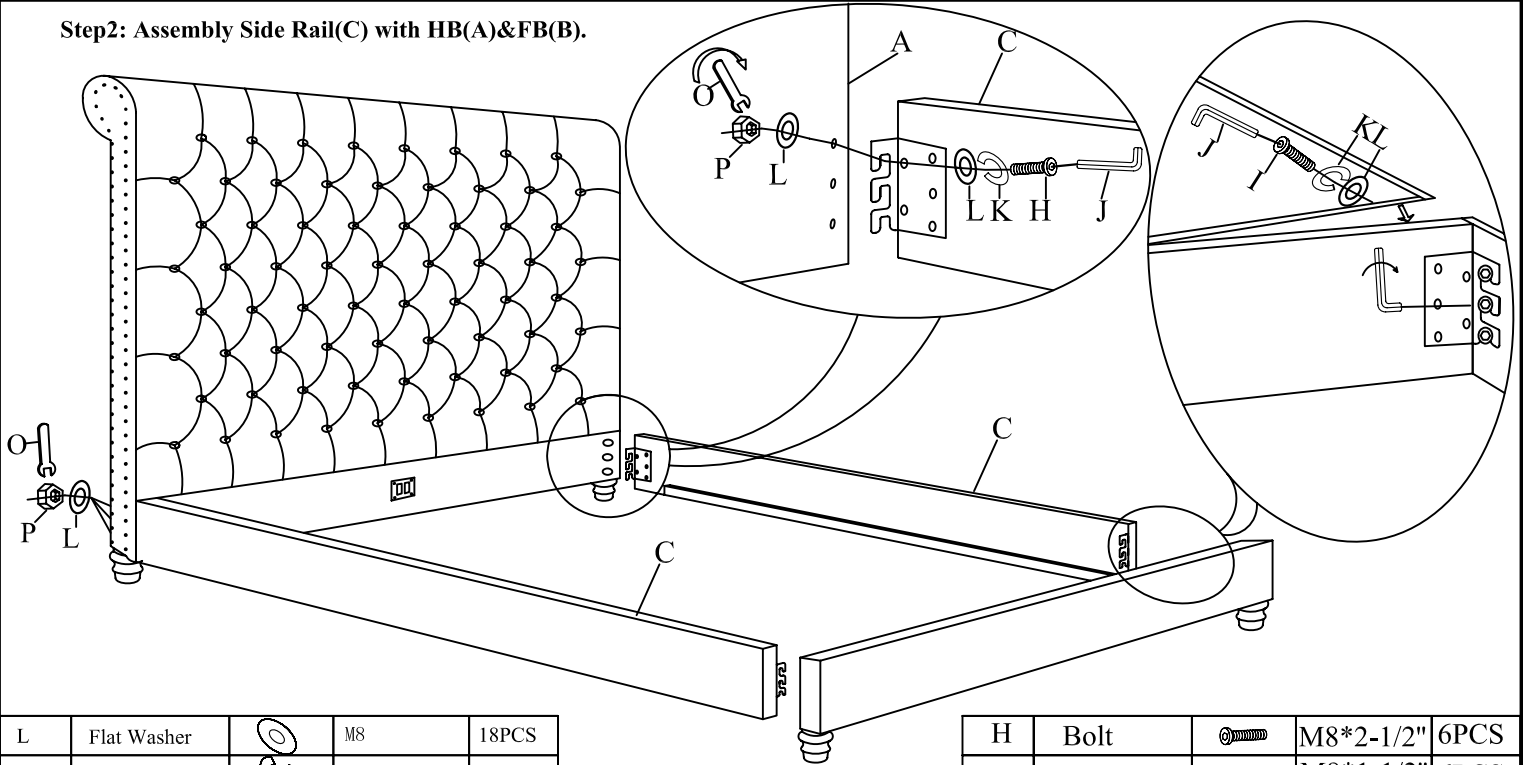
ASSEMBLY INSTRUCTIONS

Item No: D-QB/KB-187

Description: QUEEN/KING UPH BED-DIANA

Thank you for purchasing this quality product. Be sure to check all packing material carefully for small parts that may have come loose inside the carton during shipment.

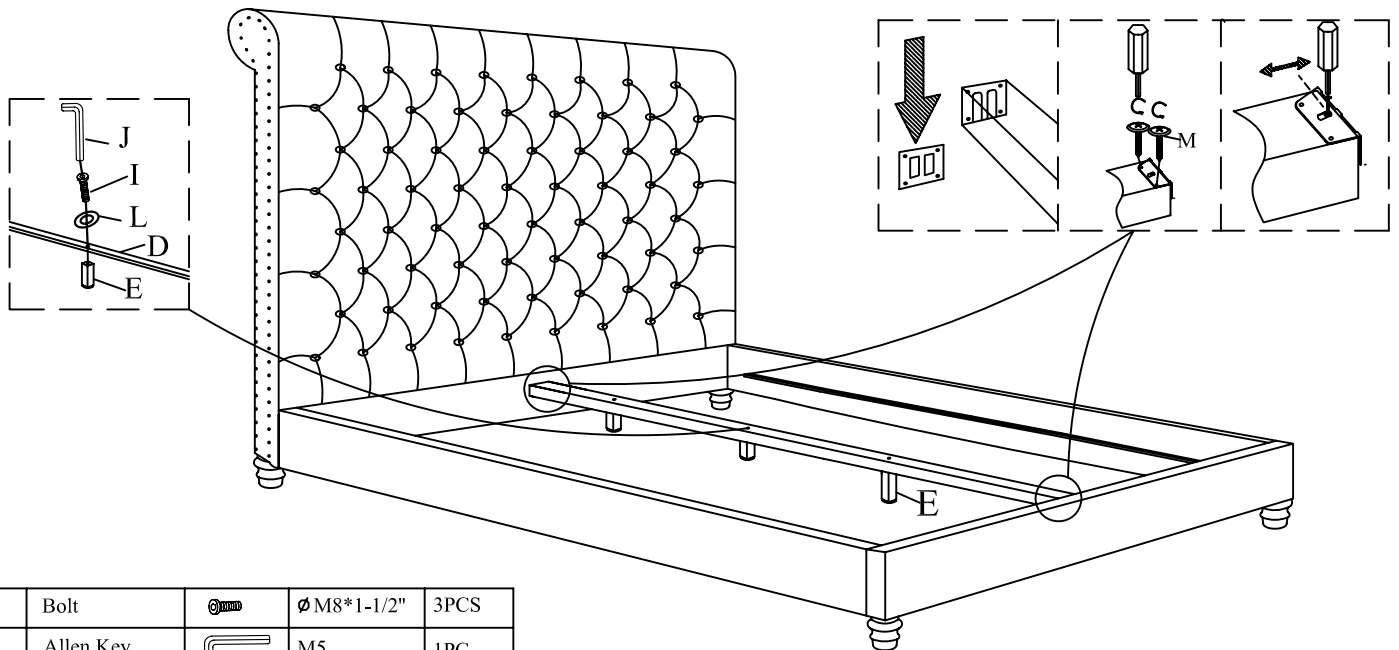
Step2: Assembly Side Rail(C) with HB(A)&FB(B).



L	Flat Washer		M8	18PCS
K	Spring Washer		M8	12PCS
O	Spanner		M12	1PC
P	Nut		M8	6PCS

H	Bolt		M8*2-1/2"	6PCS
I	Bolt		M8*1-1/2"	6PCS
J	Allen Key		M5	1PC

Step3: Assembly Center Rail(C) with HB(A)&FB(B).



I	Bolt		ØM8*1-1/2"	3PCS
J	Allen Key		M5	1PC
L	Flat Washer		M8	3PCS
M	Screw		Ø8*1"	4PCS

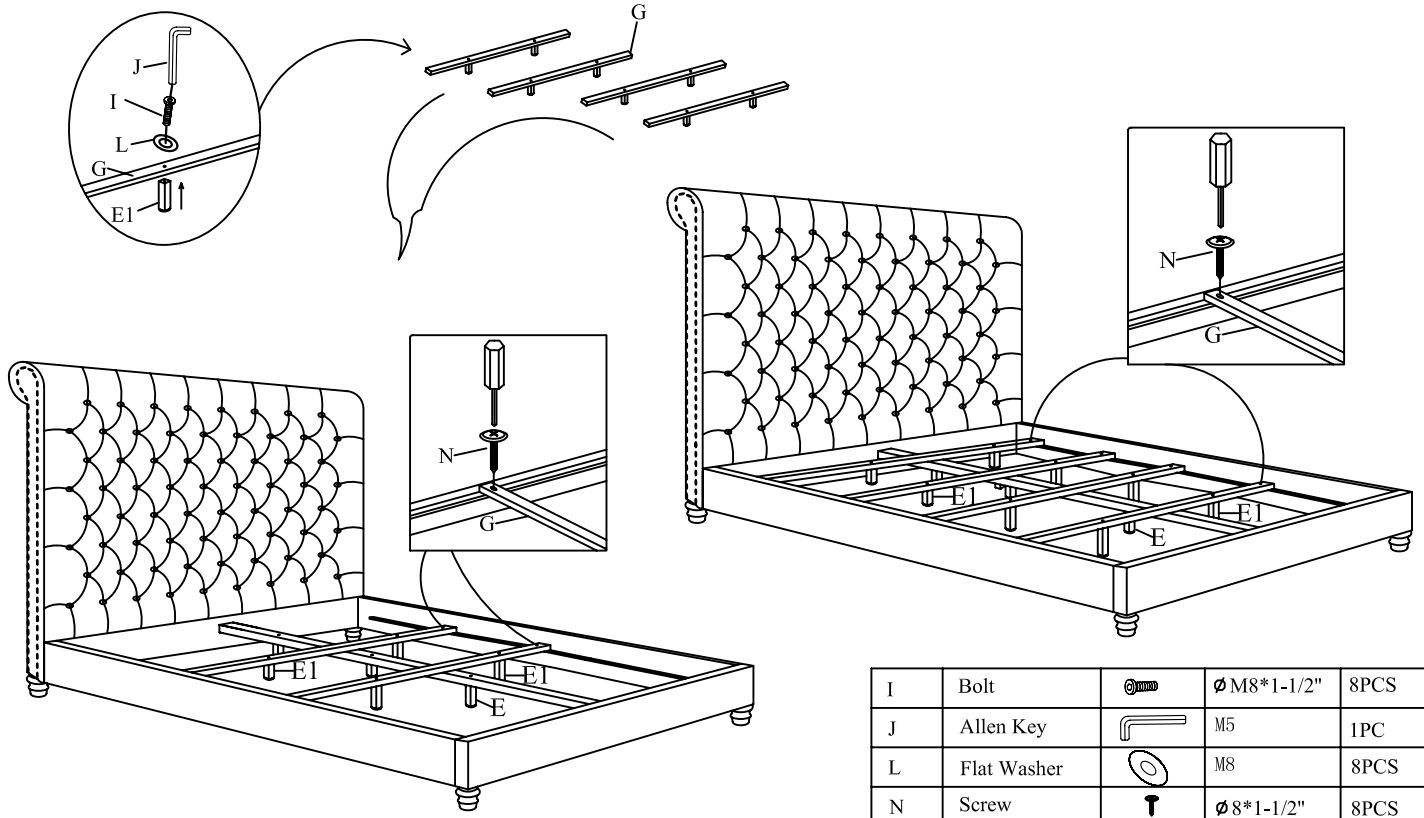
ASSEMBLY INSTRUCTIONS

Item No: D-QB/KB-187

Description: QUEEN/KING UPH BED-DIANA

Thank you for purchasing this quality product. Be sure to check all packing material carefully for small parts that may have come loose inside the carton during shipment.

Step 4: Assembly slat(G) with side Rail(C).



Step 6: Completed assembly for a regular bed.

