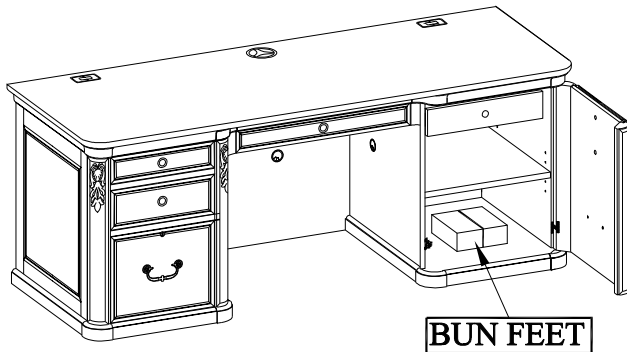



Thank you for purchasing this quality product. Be sure to check all packing material carefully for small parts that may have come loose inside the carton during shipment.



TOOLS REQUIRED (NOT PROVIDED)

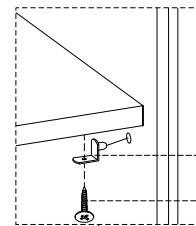
PHILLIPS SCREWDRIVER

PARTS LIST:

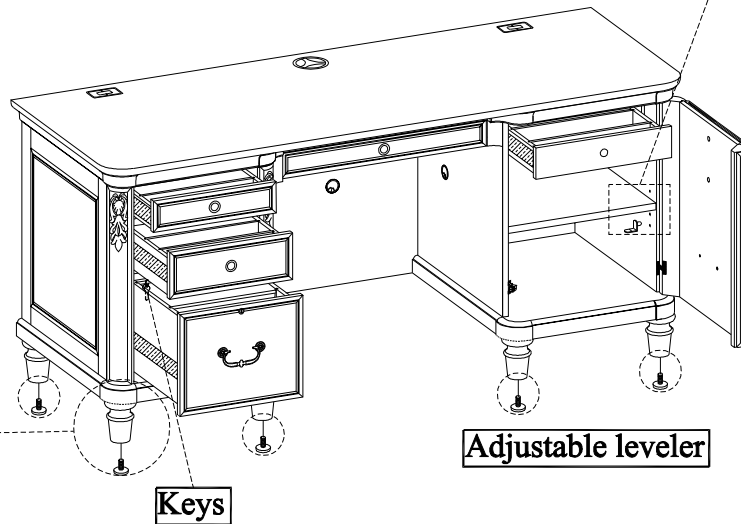
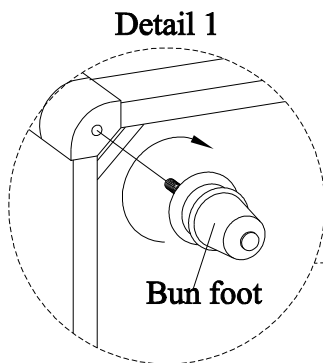
| No. | Description | Sketch | Quantity |
|-----|-------------|---|----------|
| A | BUN FOOT |  | 6 PCS |

BUN FEET

Detail 2



Bracket
Screw



ASSEMBLY STEP:

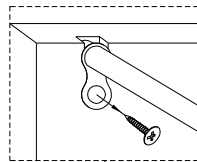
1. Put the credenza backside down on a soft, clean surface. Attach bun feet to the bottom of credenza. See detail 1.
2. Turn the credenza so that it is in the upright position.
3. When you prefer to adjust the location of shelf, take off screws and reinsert the shelf brackets into the holes. Then place the shelf on and re-secure it. See detail 2.

MADE IN VIETNAM

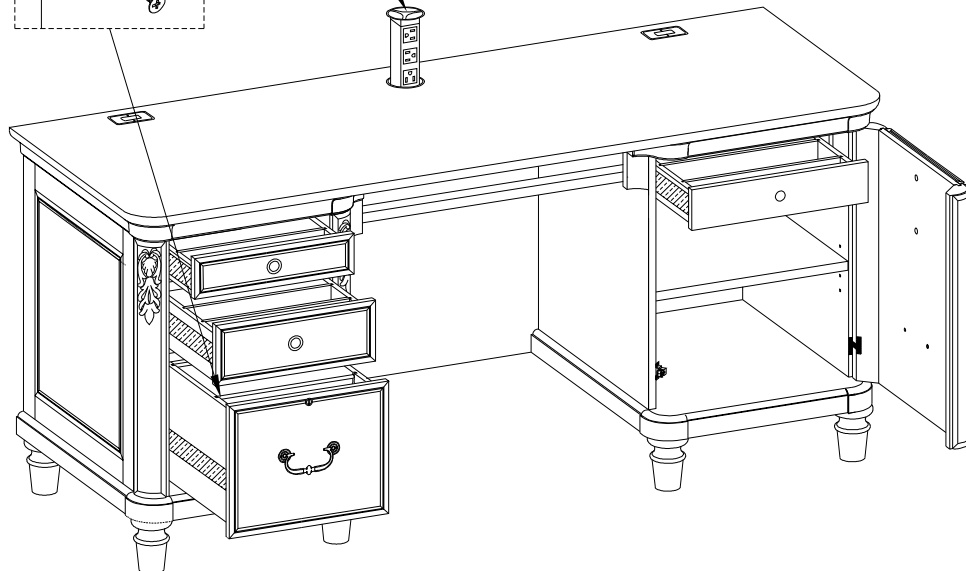
Thank you for purchasing this quality product. Be sure to check all packing material carefully for small parts that may have come loose inside the carton during shipment.

Detail 3

Remove the wood screws on the side panel of drawer box to remove the rod loops and file rods if necessary.



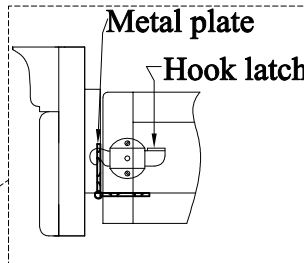
Power Pack



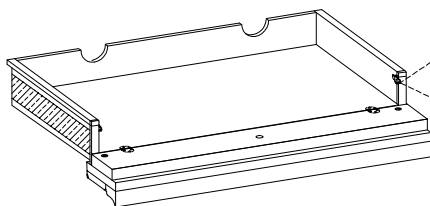
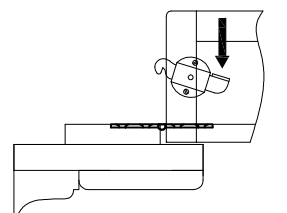
Detail 4

Metal plate

Hook latch



Press here to release



MADE IN VIETNAM

EXCLUSIVE AMERICAN SIGNATURE DESIGN-DO NOT REPRODUCE WITHOUT WRITTEN PERMISSION